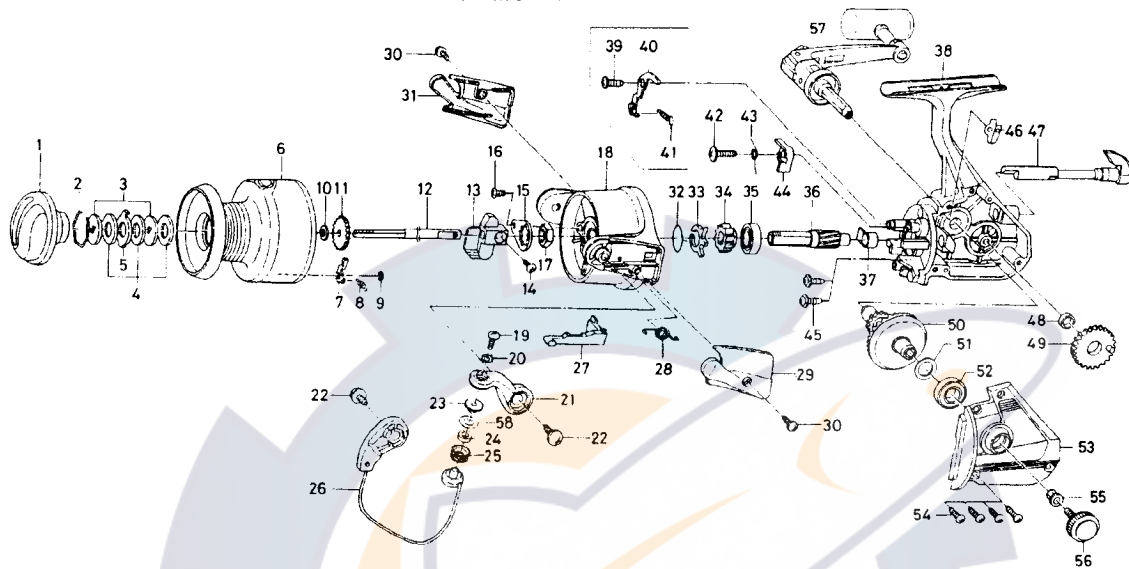


SPINNING REEL

RG-X4500T/X5000T

※ These parts are not assembled -----
 in silent anti-reverse model.



RG-X4500T

KEY NO.	PART NO.	PART NAME
*	F54-7601	EXTRA SPOOL
2-9	F53-8301	SPOOL
1	F36-9805	DRAG KNOB
2	171-7701	DRAG WASHER RET
3	L03-1301	KEY WASHER
4	373-3711	DRAG WASHER
5	B89-9501	EARED WASHER
7	B07-8201	CLICK PAWL
8	145-2101	CLICK SPRING
9	320-1402	CLICK RET
10	F09-4701	SPOOL WASHER
11	L02-1401	CLICK GEAR
12	L10-7301	MAIN SHAFT
13	L10-6601	OSC SLIDER
14	351-8901	OSC SLIDER SCREW
15	F58-9801	ROTOR NUT HOLD PLT
16	L01-1702	ROTOR NUT HOLD PLT SCREW
17	340-8301	ROTOR NUT
18	F36-8705	ROTOR
19	F60-7301	LINE ROLLER SCREW
21	F36-9005	BAIL ARM
22	E00-7601	BAIL ARM SCREW
23	F44-6302	LINE ROLLER COLLAR
24	F47-3401	LINE ROLLER BUSHING
25	F45-4902	LINE ROLLER
26	F60-6201	BAIL
27	L10-6901	BAIL TRIP LEVER
28	F60-8001	BAIL SPRING
29	F36-9105	BAIL SPRING COVER
30	E24-8101	BAIL SPRING COVER SCREW
31	F36-9505	BAIL TRIP COVER
32	F21-2001	A/R PAWL SPRING A
33	L06-6801	A/R PAWL SPRING B
34	F36-8501	A/R RATCHET
35	L03-6401	BALL BEARING A
36	L10-7701	PINION GEAR

RG-X4500T

KEY NO.	PART NO.	PART NAME
37	B88-0001	PINION COLLAR
38	E53-7702	BODY
42	L06-6501	A/R PAWL SCREW
43	L13-7201	A/R PAWL SPRING C
44	L06-6301	A/R PAWL
45	L01-1601	BEARING RET SCREW
46	E01-1801	A/R CAM SPRING
47	L10-0711	A/R LEVER
48	B47-4101	OSC GEAR COLLAR
49	L11-7001	OSC GEAR
50	B78-9501	DRIVE GEAR
51	371-2824	DRIVE GEAR WASHER
52	B54-6001	BALL BEARING B
53	E53-7801	SIDE COVER
54	B83-5002	SIDE COVER SCREW
55	F40-9001	HANDLE COLLAR
56	L00-9104	HANDLE LOCK SCREW
57	L05-9002	HANDLE
58	F44-6202	LINE ROLLER WASHER

RG-X5000T SPECIAL PARTS

KEY NO.	PART NO.	PART NAME
*	F54-7801	EXTRA SPOOL
2-9	F53-7601	SPOOL
18	F37-1105	ROTOR
26	F60-6401	BAIL
27	L10-7101	BAIL TRIP LEVER
38	E53-7902	BODY
53	E53-7802	SIDE COVER